

**READ COMPLETE SAFETY INSTRUCTIONS AND INSTALLATION TEMPLATE BEFORE STARTING**

**ATTENTION INSTALLER:**

This product must be installed by a qualified heating and air conditioning contractor. Failure to do so could result in serious injury from electrical shock. This product must be installed in compliance with all local, state and federal codes.

**Aprilaire® AUTOMATIC HUMIDIFIER MODEL 400A**

**WARNING**

- 1. ELECTRICAL SHOCK HAZARD.** Disconnect electrical power to the furnace before starting installation. Failure to do so could result in serious injury from electrical shock.
- 2. SHARP EDGES HAZARD.** Sharp edges may cause serious injury from cuts. Use care when making plenum openings and handling ductwork.
- 3. RISK OF SCALDING.** Water temperature over 125°F can cause severe burns and scald instantly. Shut off the hot water supply before disconnecting or tapping into any hot water supply line.

**CAUTION**

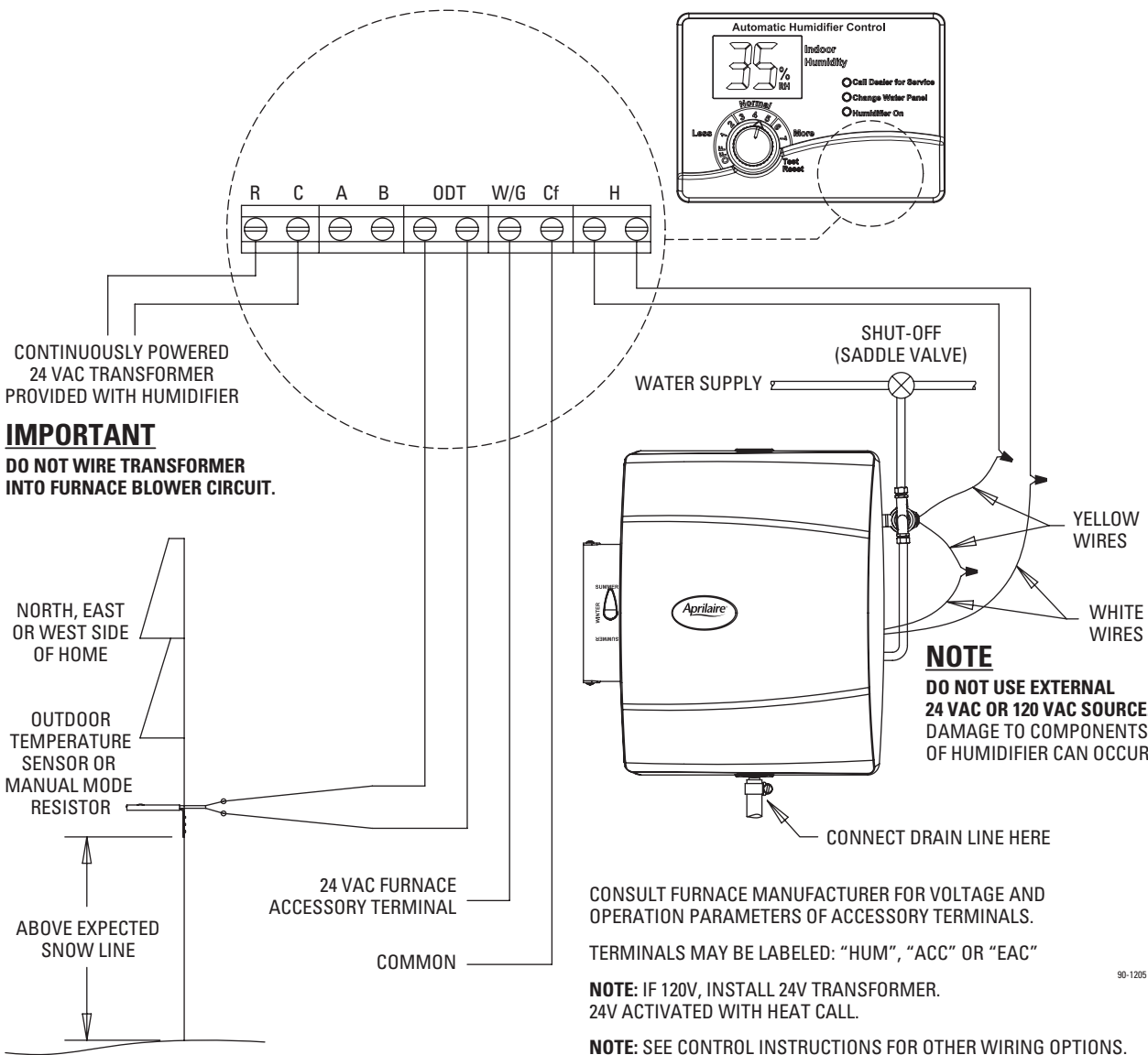
- RISK OF PROPERTY AND EQUIPMENT DAMAGE.**
1. Do not install humidifier where freezing temperatures could occur. The water line could freeze and crack causing water damage to the home.
  2. Do not install humidifier or bypass connection on the furnace jacket.
  3. Do not install humidifier or bypass connection on a plenum face where the blanked off ends of the cooling coil will restrict air movement through the humidifier.
  4. Do not set humidity level above recommended or to recommended level if condensation exists on inside windows of any unheated space, as condensation damage may result. Excess humidity can cause moisture accumulation which can allow the possibility for mold growth in the home.
  5. Do not connect Model 400A transformer to blower motor wiring. Premature component failure may result.
  6. When installing Humidifier Control on downflow furnace, ensure blower continues to run after a heat call is satisfied to eliminate high temperatures from damaging the Control.
  7. Do not install humidifier where water pressure exceeds 125 psi, since damage to the humidifier may result. Follow codes in effect concerning pressure reduction.
  8. Do not install humidifier on systems with greater than 0.4 in. wg pressure differential between supply and return plenums.

**SPECIFICATIONS**

- HUMIDIFIER DIMENSIONS  
 Width (including solenoid valve): 15 3/8"  
 Height (including drain spud): 15 3/4"  
 Depth: 10 1/4"
- BYPASS DUCT OPENING  
 6" diameter
- PLENUM OPENING  
 10"W x 12 3/4"H
- ELECTRICAL DATA  
 24 VAC-60 Hz, 0.5 AMP

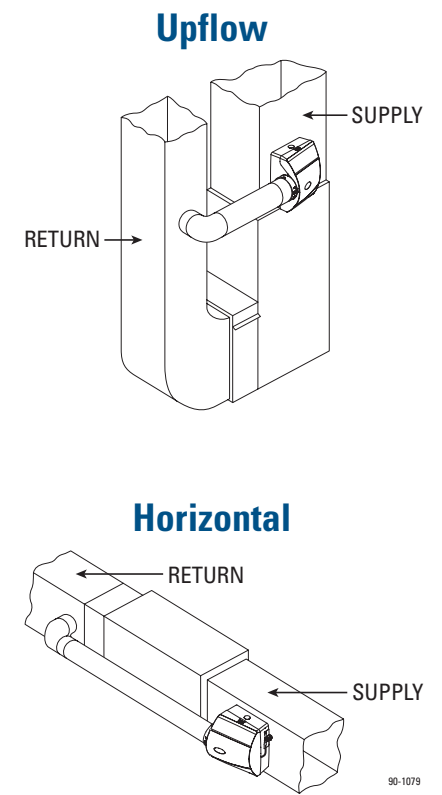
**RECOMMENDED WIRING DIAGRAM**

(SEE STEP 7 ON BACK AND "HUMIDIFIER CONTROL SAFETY AND INSTALLATION INSTRUCTIONS" FOR DETAILED WIRING INSTRUCTIONS)



**INSTALLATION OPTIONS**

The Model 400A Aprilaire can be installed on either the supply or return plenum of a forced air handling system and is easily reversible for installation with right hand or left hand bypass duct connections. The humidifier dimensions and serviceability must be considered when selecting the best location for the humidifier. Here are 2 examples of many types of installations.



**READ REVERSE SIDE FIRST!**

**- TOP -**

**READ REVERSE SIDE FIRST!**

**READ COMPLETE SAFETY INSTRUCTIONS AND INSTALLATION TEMPLATE BEFORE STARTING**

| FURNISHED ITEMS                                 |
|---|
| Built-in bypass damper                          |
| 24 VAC Transformer                              |
| Automatic Digital Humidifier Control            |
| Automatic Humidifier Control Installation Sheet |
| Saddle valve                                    |
| Humidifier Installation Template                |
| ITEMS NOT FURNISHED                             |
| Mounting screws (sheet metal screws)            |
| Water supply line (1/4" copper)                 |
| Drain line (1/2" I.D. hose)                     |
| Low voltage wire                                |
| Bypass ductwork                                 |
| Model 50 Current Sensing Relay (if required)    |

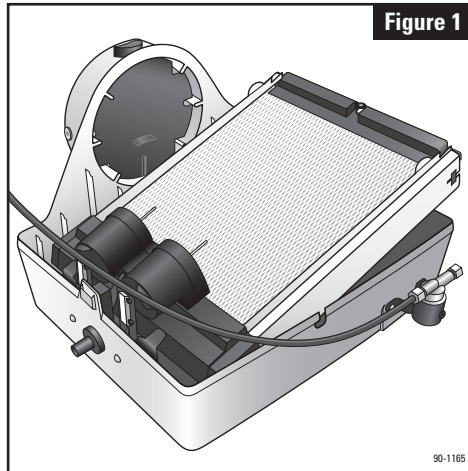


Figure 1

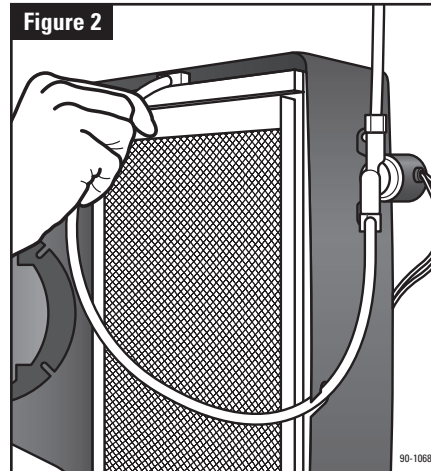


Figure 2

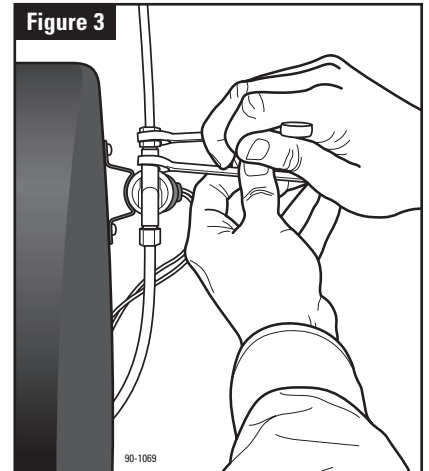


Figure 3

1. Press top & bottom tabs to remove cover (1). Pull feed tube (3) out of distribution tray (4). Remove Water Panel® Evaporator assembly. See **Figure 1**.
2. Humidifier is supplied with bypass duct connection on left. For right side bypass, swap location of water level sensor assembly (9) and cap (10).
3. Position template on supply or return plenum. Make sure template is level. Allow clearance for drain line and for servicing.

4. Place humidifier base (2) in opening and secure with 6 screws in openings provided.
5. Select location for 6" collar on opposite plenum to minimize length and number of elbows in bypass duct. Install 6" bypass duct components. Attach duct to humidifier collar using 2 screws in openings provided.

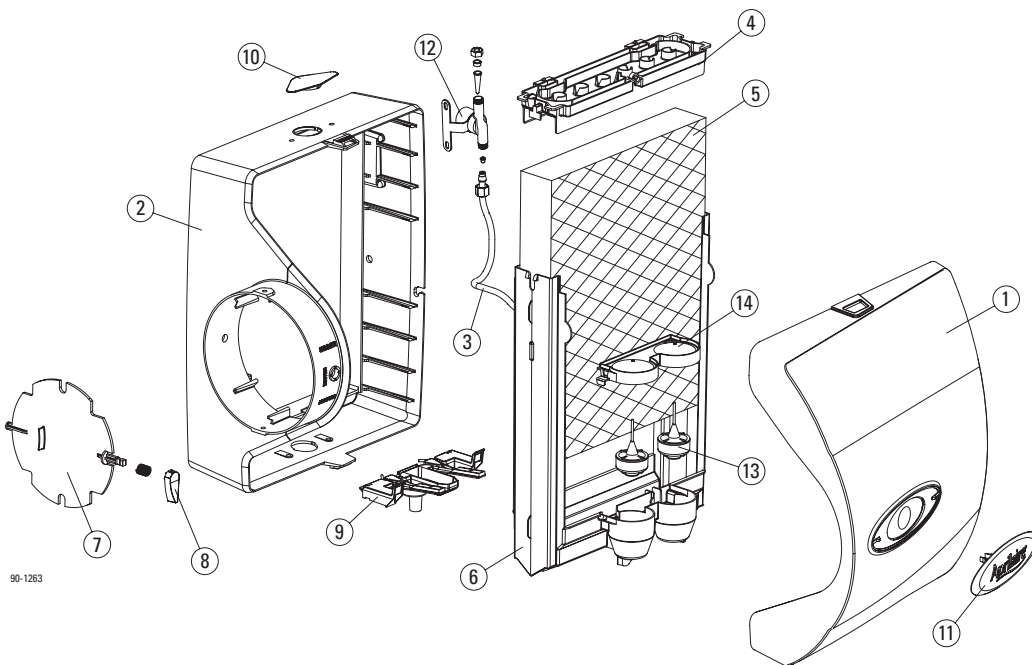
6. Insert Water Panel Evaporator assembly into base. Make sure bottom of scale control insert (6) is seated in water level sensor assembly (9). Snap top of evaporator assembly into base. Insert feed tube into distribution tray. See **Figure 2**. Make sure float cover (14) is snapped into place and that floats (13) move freely up and down. Rotate nameplate (11) if necessary, so it is right side up. Place point bypass damper handle (8) to "WINTER" (open) for heating season and "SUMMER" for cooling season.

7. Control installation and wiring. **Disconnect electrical power to furnace before wiring control.** In order for humidifier to operate, furnace must be on and RH must be below set-point of control. Wiring diagram illustrates recommended method of detecting furnace operation.
  - Select location for control on return duct at least 6" upstream of bypass duct connection or humidifier. Position template on duct and mark location of RH sensor opening. Drill 3/4" hole for sensor. Knob and cover must be removed to mount control. Place control on duct with RH sensor extending into duct opening. Make sure gasket is in place around sensor cage. Secure humidistat to duct using 2 screws in openings provided.

8. Humidifier will function with cold, softened or unsoftened water. Saddle valve provided may be used to tap into water supply.
9. Run 1/4" copper tubing from saddle valve to solenoid valve. **DOUBLE-WRENCH TO PREVENT LEAKING.** See **Figure 3**.
10. Run 1/2" I.D. hose from drain spud to floor drain. Make sure drain has constant downward slope and is not kinked. Do not over-tighten hose clamp onto drain spud. Do not use solvent adhesive on drain spud.
11. Check humidifier operation. Open saddle valve and turn control to highest setting. Turn on furnace. Make sure all electrical connections are secure and all plumbing connections are water-tight. Set control to proper setting.

## PARTS LIST

- |                            |                                       |                    |
|----------------------------|---------------------------------------|--------------------|
| 1. Front Cover             | 6. Scale Control Insert/Float Chamber | 11. Nameplate      |
| 2. Base                    | 7. Integral Damper                    | 12. Solenoid Valve |
| 3. Feed Tube               | 8. Damper Handle                      | 13. Float          |
| 4. Water Distribution Tray | 9. Water Level Sensor Assembly        | 14. Float Cover    |
| 5. Water Panel Evaporator  | 10. Hole Plug                         |                    |



- Control must be powered by a continuous 24 V source. See wiring diagram on template and control instructions for 24 V control connections.
8. Humidifier will function with cold, softened or unsoftened water. Saddle valve provided may be used to tap into water supply.

**NOTE: BEFORE LEAVING THE JOB SITE, MAKE SURE:**

1. Saddle valve is fully open.
2. All plumbing connections are watertight.
3. Humidifier functions properly.
4. Bypass damper is in proper position.

**IMPORTANT!** Be sure owner's manual containing instructions for operation and warranty information is given to owner in order to avoid unnecessary calls. Warranty is void unless humidifier is installed by qualified heating and air conditioning contractor due to possible misapplication of product.

**TEMPLATE MUST BE LEVEL**